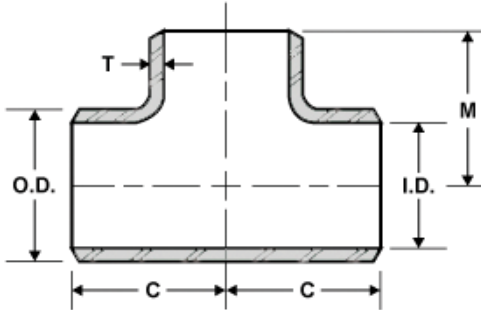




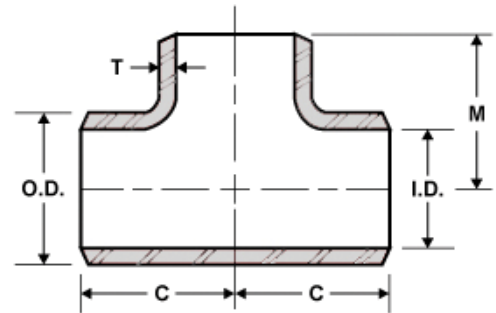
Tê Igual

ANSI B16.9

Espessura Standard



Diâmetro Nominal (DN)	Diâmetro Exterior (O.D.)	Diâmetro Interior (I.D.)	Espessura de Parede (T)	De Centro a Fim (C)	De Centro a Fim (M)	Schedule	Peso (Kg)
15	21.3	15.7	2.77	25	25	STD	0.2
20	26.7	20.9	2.87	29	29	STD	0.2
25	33.4	26.6	3.38	38	38	STD	0.3
32	42.2	35.0	3.56	48	48	STD	0.6
40	48.3	40.8	3.68	57	57	STD	0.9
50	60.3	52.5	3.91	64	64	STD	1.5
65	73.0	62.7	5.16	76	76	STD	2.6
80	88.9	77.9	5.49	86	86	STD	3.3
90	101.6	90.1	5.74	95	95	STD	4.3
100	114.3	102.2	6.02	105	105	STD	5.7
125	141.3	128.1	6.55	124	124	STD	9.4
150	168.3	154.0	7.11	143	143	STD	15
200	219.1	202.7	8.18	178	178	STD	25.6
250	273.0	254.5	9.27	216	216	STD	41.2
300	323.8	304.8	9.53	254	254	STD	61.7
350	355.6	336.5	9.53	279	279	STD	73.5
400	406.4	387.3	9.53	305	305	STD	93.4
450	457	438.15	9.53	343	343	STD	123.4
500	508	488.9	9.53	381	381	STD	158.8
600	610	590.5	9.53	432	432	STD	230.4
750	762	742.6	9.53	559	559	STD	378.8
900	914	895.0	9.53	673	673	STD	587
1050	1067	1047.4	9.53	762	711	STD	678.1
1200	1219	1199.8	9.53	889	838	STD	1043.3

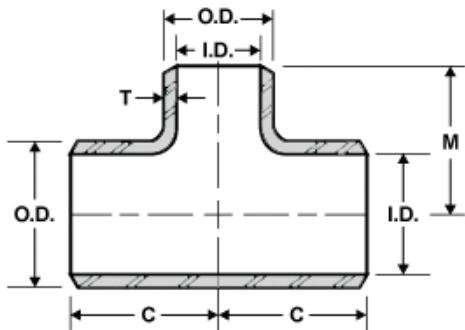


Diâmetro Nominal (DN)	Diâmetro Exterior (O.D.)	Diâmetro Interior (I.D.)	Espessura de Parede (T)	De Centro a Fim (C)	De Centro a Fim (M)	Schedule	Peso (Kg)
15	21.3	13.8	3.73	25	25	XS	0.2
20	26.7	18.8	3.91	29	29	XS	0.3
25	33.4	24.3	4.55	38	38	XS	0.4
32	42.2	32.4	4.85	48	48	XS	0.7
40	48.3	38.1	5.08	57	57	XS	1
50	60.3	49.2	5.54	64	64	XS	1.8
65	73.0	59.0	7.01	76	76	XS	2.9
80	88.9	73.6	7.62	86	86	XS	4.1
90	101.6	85.4	8.08	95	95	XS	5.5
100	114.3	97.1	8.56	105	105	XS	7.3
125	141.3	122.2	9.53	124	124	XS	12.1
150	168.3	146.3	10.97	143	143	XS	19
200	219.1	193.6	12.70	178	178	XS	34.6
250	273.0	247.6	12.70	216	216	XS	52.2
300	323.8	298.4	12.70	254	254	XS	76.7
350	355.6	330.2	12.70	279	279	XS	107.5
400	406.4	381.0	12.70	305	305	XS	128.8
450	457	431.8	12.70	343	343	XS	160.1
500	508	482.6	12.70	381	381	XS	200.4
600	610	584.2	12.70	432	432	XS	283.5
750	762	736.6	12.70	559	559	XS	483.1
900	914	889.0	12.70	673	673	XS	730.3
1050	1067	1041.4	12.70	762	711	XS	811
1200	1219	1193.8	12.70	889	838	XS	1043.3

Tê de Redução

ANSI B16.9

Espessura Standard



Diâmetro Nominal (DN)	Dimensões da Boca Maior				Dimensões da Boca Menor				Schedule	Peso (Kg)
	Diâmetro Exterior (O.D.)	Espessura de Parede (T)	Diâmetro Interior (I.D.)	De Centro a Fim (C)	Diâmetro Exterior (O.D.)	Espessura de Parede (T)	Diâmetro Interior (I.D.)	De Centro a Fim (M)		
20 x 15	26.7	2.8	20.9	25	21.3	2.7	15.7	25	STD	0.2
25 x 20	33.4	3.3	26.6	38	26.6	2.8	20.9	38	STD	0.4
25 x 15	33.4	3.3	26.6	38	21.3	2.7	15.7	38	STD	0.4
32 x 25	42.2	3.5	35.0	48	33.4	3.3	26.6	48	STD	0.6
32 x 20	42.2	3.5	35.0	48	26.7	2.8	20.9	48	STD	0.6
32 x 15	42.2	3.5	35.0	48	21.3	2.7	15.7	48	STD	0.6
40 x 32	48.3	3.6	40.8	57	42.2	3.5	35.0	57	STD	0.9
40 x 25	48.3	3.6	40.8	57	33.4	3.3	26.6	57	STD	0.9
40 x 20	48.3	3.6	40.8	57	26.7	2.8	20.9	57	STD	0.8
40 x 15	48.3	3.6	40.8	57	21.3	2.7	15.7	57	STD	0.8
50 x 40	60.3	3.9	52.5	64	48.3	3.6	40.8	60	STD	1.4
50 x 32	60.3	3.9	52.5	64	42.2	3.5	35.0	57	STD	1.4
50 x 25	60.3	3.9	52.5	64	43.4	3.3	26.6	51	STD	1.3
50 x 20	60.3	3.9	52.5	64	26.7	2.8	20.9	44	STD	1.1
65 x 50	73.0	5.1	62.7	76	60.3	3.9	52.5	70	STD	2.4
65 x 40	73.0	5.1	62.7	76	48.3	3.6	40.8	67	STD	2.3
65 x 32	73.0	5.1	62.7	76	42.2	3.5	35.0	64	STD	2.2
65 x 25	73.0	5.1	62.7	76	33.4	3.3	26.6	57	STD	2.1
80 x 65	88.9	5.4	77.9	86	73.0	5.1	62.7	83	STD	3.3
80 x 50	88.9	5.4	77.9	86	60.3	3.9	52.5	76	STD	3.2
80 x 40	88.9	5.4	77.9	86	48.3	3.6	40.8	73	STD	3.1
80 x 32	88.9	5.4	77.9	86	42.2	3.5	35.0	70	STD	3
80 x 25	88.9	5.4	77.9	86	33.4	3.4	26.6	67	STD	2.9
90 x 80	101.6	5.7	90.1	95	88.9	5.4	77.9	92	STD	4.4

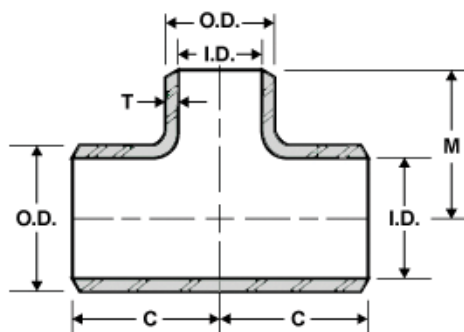


Diâmetro Nominal (DN)	Dimensões da Boca Maior				Dimensões da Boca Menor				Schedule	Peso (Kg)
	Diâmetro Exterior (O.D.)	Espessura de Parede (T)	Diâmetro Interior (I.D.)	De Centro a Fim (C)	Diâmetro Exterior (O.D.)	Espessura de Parede (T)	Diâmetro Interior (I.D.)	De Centro a Fim (M)		
90 x 65	101.6	5.7	90.1	95	73.0	5.1	62.7	89	STD	4.3
90 x 50	101.6	5.7	90.1	95	60.3	3.9	52.5	83	STD	4.2
90 x 40	101.6	5.7	90.1	95	48.3	3.6	40.8	79	STD	4
100 x 90	114.3	6.0	102.2	105	101.6	5.7	90.1	102	STD	5.4
100 x 80	114.3	6.0	102.2	105	88.9	5.4	77.9	98	STD	5.3
100 x 65	113.3	6.0	102.2	105	73.0	5.1	62.7	95	STD	5.2
100 x 50	114.3	6.0	102.2	105	60.3	3.9	52.5	89	STD	5.1
100 x 40	114.3	6.0	102.2	105	48.3	3.6	40.8	86	STD	5.1
125 x 100	141.3	6.5	128.2	125	114.3	6.0	102.2	117	STD	9.3
125 x 90	141.3	6.5	128.2	124	101.6	5.7	90.1	114	STD	9
125 x 80	141.3	6.5	128.2	124	88.9	5.4	77.9	111	STD	8.8
125 x 65	141.3	6.5	128.2	124	73.0	5.1	62.7	108	STD	8.6
125 x 50	141.3	6.5	128.2	124	60.3	3.9	52.5	105	STD	8.5
150 x 125	168.3	7.1	154.0	143	141.3	6.5	128.1	137	STD	14.5
150 x 100	168.3	7.1	154.0	143	114.3	6.0	102.2	130	STD	13.8
150 x 90	168.3	7.1	154.0	143	101.6	5.7	90.1	127	STD	13.6
150 x 80	168.3	7.1	154.0	143	88.9	5.4	77.9	124	STD	13.6
150 x 65	168.3	7.1	154.0	143	73.0	5.1	62.7	121	STD	13.5
150 x 50	168.3	7.1	154.0	143	60.3	3.9	52.5	121	STD	13.2

Tê de Redução

ANSI B16.9

Espessura Standard



Diâmetro Nominal (DN)	Dimensões da Boca Maior				Dimensões da Boca Menor				Schedule	Peso (Kg)
	Diâmetro Exterior (O.D.)	Espessura de Parede (T)	Diâmetro Interior (I.D.)	De Centro a Fim (C)	Diâmetro Exterior (O.D.)	Espessura de Parede (T)	Diâmetro Interior (I.D.)	De Centro a Fim (M)		
200 x 150	219.1	8.2	202.7	178	168.3	7.1	154.0	168	STD	25.6
200 x 125	219.1	8.2	202.7	178	141.3	6.5	128.2	162	STD	24.5
200 x 100	219.1	8.2	202.7	178	114.3	6.01	102.2	156	STD	24.1
200 x 90	219.1	8.2	202.7	178	101.6	5.74	90.1	152	STD	24
200 x 80	219.1	8.2	202.7	178	88.9	5.49	77.93	152	STD	23.6
250 x 200	273.0	9.3	254.5	216	219.1	8.2	202.7	203	STD	39.2
250 x 150	273.0	9.3	254.5	216	168.3	7.1	154.0	194	STD	39
250 x 125	273.0	9.3	254.5	216	141.3	6.5	128.2	191	STD	37.4
250 x 100	273.0	9.3	254.5	216	114.3	6.0	102.3	184	STD	37.2
300 x 250	323.8	9.5	304.8	254	273.0	9.2	254.5	241	STD	55.8
300 x 200	323.8	9.5	304.8	254	219.1	8.1	202.7	229	STD	54.4
300 x 150	323.8	9.5	304.8	254	168.3	7.1	154.0	219	STD	53.5
300 x 125	323.8	9.5	304.8	254	141.3	6.5	128.2	216	STD	53.1
300 x 100	323.8	9.5	304.8	254	114.3	6.01	102.3	216	STD	50.8
350 x 300	355.6	9.5	336.5	279	323.8	9.5	304.8	270	STD	68.5
350 x 250	355.6	9.5	336.5	279	273.0	9.2	254.5	257	STD	67.1
350 x 200	355.6	9.5	336.5	279	219.1	8.1	202.7	248	STD	66.2
350 x 150	355.6	9.5	336.5	279	168.3	7.1	154.0	238	STD	65.8
400 x 350	406.4	9.5	387.3	305	355.6	9.5	336.5	305	STD	100.2
400 x 300	406.4	9.5	387.3	305	323.8	9.5	304.8	295	STD	96.6
400 x 250	406.4	9.5	387.3	305	273.0	9.2	254.5	283	STD	89.4
400 x 200	406.4	9.5	387.3	305	219.1	8.1	202.7	273	STD	86.2
400 x 150	406.4	9.5	387.3	305	168.3	7.1	154.0	264	STD	81.6
450 x 400	457	9.5	438.1	343	406.4	9.5	387.3	330	STD	118.8

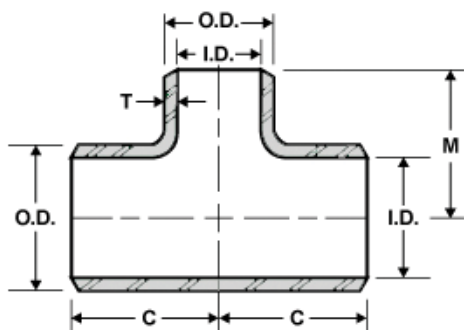


Diâmetro Nominal (DN)	Dimensões da Boca Maior				Dimensões da Boca Menor				Schedule	Peso (Kg)
	Diâmetro Exterior (O.D.)	Espessura de Parede (T)	Diâmetro Interior (I.D.)	De Centro a Fim (C)	Diâmetro Exterior (O.D.)	Espessura de Parede (T)	Diâmetro Interior (I.D.)	De Centro a Fim (M)		
450 x 350	457	9.5	438.1	343	355.6	9.5	336.5	330	STD	112.5
450 x 300	457	9.5	438.1	343	323.8	9.5	304.8	321	STD	109.3
450 x 250	457	9.5	438.1	343	273.0	9.2	254.5	308	STD	103.9
450 x 200	457	9.5	438.1	343	219.1	8.1	202.7	298	STD	98
500 x 450	508	9.5	488.9	381	457	9.5	438.1	368	STD	159.7
500 x 400	508	9.5	488.9	381	406.4	9.5	387.7	356	STD	153.8
500 x 350	508	9.5	488.9	381	355.6	9.5	336.5	356	STD	148.3
500 x 300	508	9.5	488.9	381	323.8	9.5	304.8	346	STD	142.9
500 x 250	508	9.5	488.9	381	273.0	9.2	254.5	333	STD	138.3
500 x 200	508	9.5	488.9	381	219.1	8.1	202.7	328	STD	132.9
600 x 500	610	9.5	590.5	432	508	9.5	488.9	432	STD	226.8
600 x 450	610	9.5	590.5	432	457	9.5	438.1	419	STD	220.9
600 x 400	610	9.5	590.5	432	406.4	9.5	387.3	406	STD	215.5
600 x 350	610	9.5	590.5	432	355.6	9.5	336.5	406	STD	210.9
600 x 300	610	9.5	590.5	432	323.8	9.5	304.8	397	STD	204.1
600 x 250	610	9.5	590.5	432	273.0	9.2	254.5	384	STD	202.8

Tê de Redução

ANSI B16.9

Espessura Standard



Diâmetro Nominal (DN)	Dimensões da Boca Maior				Dimensões da Boca Menor				Schedule	Peso (Kg)
	Diâmetro Exterior (O.D.)	Espessura de Parede (T)	Diâmetro Interior (I.D.)	De Centro a Fim (C)	Diâmetro Exterior (O.D.)	Espessura de Parede (T)	Diâmetro Interior (I.D.)	De Centro a Fim (M)		
750 x 700	762	9.6	742.6	559	711	9.6	691.8	546	STD	378.3
750 x 650	762	9.6	742.6	559	660	9.6	641.3	546	STD	370.6
750 x 600	762	9.6	742.6	559	610	9.6	590.2	533	STD	360.6
750 x 550	762	9.6	742.6	559	559	9.6	539.4	521	STD	350.2
750 x 500	762	9.6	742.6	559	508	9.6	488.6	508	STD	339.7
750 x 450	762	9.6	742.6	559	508	9.6	437.8	495	STD	328.8
900 x 850	914	9.6	895.0	673	864	9.6	844.2	660	STD	573.4
900 x 800	914	9.6	895.0	673	813	9.6	793.4	648	STD	561.1
900 x 750	914	9.6	895.0	673	762	9.6	742.6	635	STD	547.5
900 x 700	914	9.6	895.0	673	711	9.6	666.4	622	STD	535.7
900 x 650	914	9.6	895.0	673	660	9.6	641.0	622	STD	525.3
900 x 600	914	9.6	895.0	673	610	9.6	666.4	610	STD	512.1
900 x 550	914	9.6	895.0	673	559	9.6	539.4	597	STD	499
900 x 500	914	9.6	742.6	673	508	9.6	488.6	584	STD	486.3
1050 x 1000	1067	9.6	1047.4	762	1016	9.6	996.6	711	STD	665.9
1050 x 950	1067	9.6	1047.4	762	968	9.6	945.8	711	STD	645.1
1050 x 900	1067	9.6	1047.4	762	914	9.6	895.0	711	STD	641.8
1050 x 850	1067	9.6	1047.4	762	864	9.6	844.2	711	STD	630
1050 x 800	1067	9.6	1047.4	762	813	9.6	793.4	711	STD	617.8
1050 x 750	1067	9.6	1047.4	762	762	9.6	742.6	711	STD	601.9
1050 x 700	1067	9.6	1047.4	762	711	9.6	691.8	698	STD	589.7
1050 x 650	1067	9.6	1047.4	762	660	9.6	641.0	698	STD	577.9
1050 x 600	1067	9.6	1047.4	762	610	9.6	590.2	660	STD	566.1
1200 x 1150	1219	9.6	1199.8	889	762	9.6	1149.0	838	STD	1,035.1

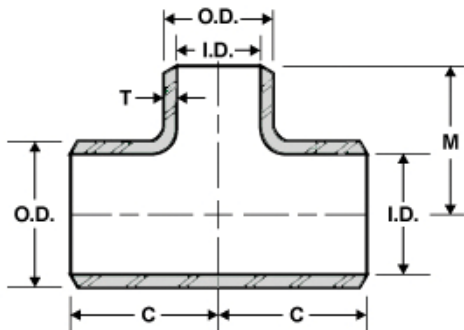


Diâmetro Nominal (DN)	Dimensões da Boca Maior				Dimensões da Boca Menor				Schedule	Peso (Kg)
	Diâmetro Exterior (O.D.)	Espessura de Parede (T)	Diâmetro Interior (I.D.)	De Centro a Fim (C)	Diâmetro Exterior (O.D.)	Espessura de Parede (T)	Diâmetro Interior (I.D.)	De Centro a Fim (M)		
1200 x 1100	1219	9.6	1199.8	889	1118	9.6	1098.2	838	STD	1,022.9
1200 x 1050	1219	9.6	1199.8	889	1067	9.6	1047.4	813	STD	1,001.1
1200 x 1000	1219	9.6	1199.8	889	1016	9.6	996.6	813	STD	986.1
1200 x 950	1219	9.6	1199.8	889	965	9.6	945.8	813	STD	977.1
1200 x 900	1219	9.6	1199.8	889	914	9.6	895.0	787	STD	964.8
1200 x 850	1219	9.6	1199.8	889	864	9.6	844.2	787	STD	953
1200 x 800	1219	9.6	1199.8	889	813	9.6	793.4	787	STD	941.2
1200 x 750	1219	9.6	1199.8	889	762	9.6	742.6	762	STD	929

Tê de Redução

ANSI B16.9

Espessura XS



Diâmetro Nominal (DN)	Dimensões da Boca Maior				Dimensões da Boca Menor				Schedule	Peso (Kg)
	Diâmetro Exterior (O.D.)	Espessura de Parede (T)	Diâmetro Interior (I.D.)	De Centro a Fim (C)	Diâmetro Exterior (O.D.)	Espessura de Parede (T)	Diâmetro Interior (I.D.)	De Centro a Fim (M)		
20 x 15	26.7	3.9	18.85	25	21.3	3.73	13.87	25	XS	0.2
25 x 20	33.4	4.55	24.31	38	26.6	3.91	20.9	38	XS	0.4
25 x 15	33.4	4.55	24.31	38	21.3	3.73	13.87	38	XS	0.4
32 x 25	42.2	4.85	32.46	48	33.4	4.55	24.31	48	XS	0.6
32 x 20	42.2	4.85	32.46	48	26.7	3.91	18.85	48	XS	0.6
32 x 15	42.2	4.85	32.46	48	21.3	3.73	13.87	48	XS	0.6
40 x 32	48.3	5.08	38.1	57	42.2	4.85	32.46	57	XS	0.9
40 x 25	48.3	5.08	38.1	57	33.4	4.55	24.31	57	XS	0.9
40 x 20	48.3	5.08	38.1	57	26.7	3.91	18.85	57	XS	0.8
40 x 15	48.3	5.08	38.1	57	21.3	3.73	13.87	57	XS	0.8
50 x 40	60.3	5.53	49.25	64	48.3	5.08	38.10	60	XS	1.4
50 x 32	60.3	5.53	49.25	64	42.2	4.85	32.46	57	XS	1.4
50 x 25	60.3	5.53	49.25	64	43.4	4.55	24.31	51	XS	1.3
50 x 20	60.3	5.53	49.25	64	26.7	3.91	18.85	44	XS	1.1
65 x 50	73.0	7.01	59.00	76	60.3	5.54	49.25	70	XS	2.4
65 x 40	73.0	7.01	59.00	76	48.3	3.68	38.10	67	XS	2.3
65 x 32	73.0	7.01	59.00	76	42.2	4.85	32.46	64	XS	2.2
65 x 25	73.0	7.01	59.00	76	33.4	4.55	24.31	57	XS	2.1
80 x 65	88.9	7.62	73.66	86	73.0	7.01	59.00	83	XS	3.3
80 x 50	88.9	7.62	73.66	86	60.3	5.54	49.25	76	XS	3.2
80 x 40	88.9	7.62	73.66	86	48.3	5.08	38.10	73	XS	3.1
80 x 32	88.9	7.62	73.66	86	42.2	4.85	32.46	70	XS	3
80 x 25	88.9	7.62	73.66	86	33.4	4.55	24.31	67	XS	2.9
90 x 80	101.6	8.08	85.45	95	88.9	7.62	73.66	92	XS	4.4

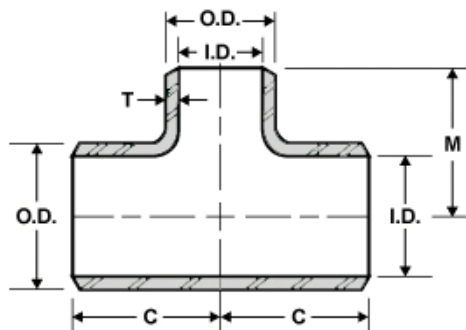


Diâmetro Nominal (DN)	Dimensões da Boca Maior				Dimensões da Boca Menor				Schedule	Peso (Kg)
	Diâmetro Exterior (O.D.)	Espessura de Parede (T)	Diâmetro Interior (I.D.)	De Centro a Fim (C)	Diâmetro Exterior (O.D.)	Espessura de Parede (T)	Diâmetro Interior (I.D.)	De Centro a Fim (M)		
90 x 65	101.6	8.08	85.45	95	73.0	7.01	59.00	89	XS	4.3
90 x 50	101.6	8.08	85.45	95	60.3	5.54	49.25	83	XS	4.2
90 x 40	101.6	8.08	85.45	95	48.3	5.08	38.1	79	XS	4
100 x 90	114.3	8.56	97.18	105	101.6	8.08	85.45	102	XS	5.4
100 x 80	114.3	8.56	97.18	105	88.9	7.62	73.66	98	XS	5.3
100 x 65	113.3	8.56	97.18	105	73.0	7.01	59.00	95	XS	5.2
100 x 50	114.3	8.56	97.18	105	60.3	5.54	49.25	89	XS	5.1
100 x 40	114.3	8.56	97.18	105	48.3	5.08	38.1	86	XS	5.1
125 x 100	141.3	9.53	122.25	125	114.3	8.56	97.18	117	XS	9.3
125 x 90	141.3	9.53	122.25	124	101.6	8.08	85.45	114	XS	9.1
125 x 80	141.3	9.53	122.25	124	88.9	7.62	73.66	111	XS	8.8
125 x 65	141.3	9.53	122.25	124	73.0	7.01	59.00	108	XS	8.6
125 x 50	141.3	9.53	122.25	124	60.3	5.54	49.25	105	XS	8.5
150 x 125	168.3	10.97	146.32	143	141.3	9.53	122.25	137	XS	14.5
150 x 100	168.3	10.97	146.32	143	114.3	8.56	97.18	130	XS	13.8
150 x 90	168.3	10.97	146.32	143	101.6	8.08	85.45	127	XS	13.6
150 x 80	168.3	10.97	146.32	143	88.9	7.62	73.66	124	XS	13.6
150 x 65	168.3	10.97	146.32	143	73.0	7.01	59.00	121	XS	13.5
150 x 50	168.3	10.97	146.32	143	60.3	5.54	49.25	121	XS	13.2

Tê de Redução

ANSI B16.9

Espessura XS



Diâmetro Nominal (DN)	Dimensões da Boca Maior				Dimensões da Boca Menor				Schedule	Peso (Kg)
	Diâmetro Exterior (O.D.)	Espessura de Parede (T)	Diâmetro Interior (I.D.)	De Centro a Fim (C)	Diâmetro Exterior (O.D.)	Espessura de Parede (T)	Diâmetro Interior (I.D.)	De Centro a Fim (M)		
200 x 150	219.1	12.7	193.68	178	168.3	10.97	146.33	168	XS	12
200 x 125	219.1	12.7	193.68	178	141.3	9.53	97.18	162	XS	24.5
200 x 100	219.1	12.7	193.68	178	114.3	8.56	85.45	156	XS	24.1
200 x 90	219.1	12.7	193.68	178	101.6	8.08	73.66	152	XS	24
200 x 80	219.1	12.7	193.68	178	88.9	5.49	77.93	152	XS	23.6
250 x 200	273.0	12.7	247.7	216	219.1	12.7	193.68	203	XS	39.2
250 x 150	273.0	12.7	247.7	216	168.3	12.7	146.33	194	XS	39
250 x 125	273.0	12.7	247.7	216	141.3	10.97	122.25	191	XS	37.4
250 x 100	273.0	12.7	247.7	216	114.3	8.56	97.18	184	XS	37.2
300 x 250	323.8	12.7	298.5	254	273.0	12.7	247.65	241	XS	55.8
300 x 200	323.8	12.7	298.5	254	219.1	12.7	193.68	229	XS	54.4
300 x 150	323.8	12.7	298.5	254	168.3	12.7	146.33	219	XS	53.5
300 x 125	323.8	12.7	298.5	254	141.3	12.7	122.25	216	XS	53.1
300 x 100	323.8	12.7	298.5	254	114.3	12.7	102.26	216	XS	50.8
350 x 300	355.6	12.7	330.2	279	323.8	12.7	298.45	270	XS	68.5
350 x 250	355.6	12.7	330.2	279	273.0	12.7	247.7	257	XS	67.1
350 x 200	355.6	12.7	330.2	279	219.1	12.7	193.67	248	XS	66.2
350 x 150	355.6	12.7	330.2	279	168.3	12.7	146.3	238	XS	65.8
400 x 350	406.4	12.7	381	305	355.6	12.7	330.2	305	XS	100.2
400 x 300	406.4	12.7	381	305	323.8	12.7	298.45	295	XS	96.6
400 x 250	406.4	12.7	381	305	273.0	12.7	247.65	283	XS	89.4
400 x 200	406.4	12.7	381	305	219.1	12.7	193.68	273	XS	86.2
400 x 150	406.4	12.7	381	305	168.3	10.97	146.33	264	XS	81.2
450 x 400	457	12.7	431.8	343	406.4	9.5	381	330	XS	118.8

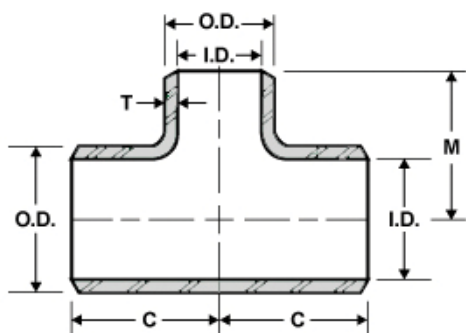


Diâmetro Nominal (DN)	Dimensões da Boca Maior				Dimensões da Boca Menor				Schedule	Peso (Kg)
	Diâmetro Exterior (O.D.)	Espessura de Parede (T)	Diâmetro Interior (I.D.)	De Centro a Fim (C)	Diâmetro Exterior (O.D.)	Espessura de Parede (T)	Diâmetro Interior (I.D.)	De Centro a Fim (M)		
450 x 350	457	12.7	431.8	343	355.6	12.7	330.2	330	XS	112.5
450 x 300	457	12.7	431.8	343	323.8	12.7	298.45	321	XS	109.3
450 x 250	457	12.7	431.8	343	273.0	12.7	247.7	308	XS	103.9
450 x 200	457	12.7	431.8	343	219.1	12.7	193.68	298	XS	97.8
500 x 450	508	12.7	465.5	381	457	9.5	431.8	368	XS	159.7
500 x 400	508	12.7	465.5	381	406.4	9.5	381	356	XS	153.8
500 x 350	508	12.7	465.5	381	355.6	9.5	330.2	356	XS	148.3
500 x 300	508	12.7	465.5	381	323.8	9.5	298.45	346	XS	142.9
500 x 250	508	12.7	465.5	381	273.0	9.2	247.65	333	XS	138.3
500 x 200	508	12.7	465.5	381	219.1	8.1	193.68	328	XS	132.9
600 x 500	610	12.7	563.5	432	508	9.5	482.6	432	XS	226.7
600 x 450	610	12.7	563.5	432	457	9.5	431.8	419	XS	220.9
600 x 400	610	12.7	563.5	432	406.4	9.5	381	406	XS	215.5
600 x 350	610	12.7	563.5	432	355.6	9.5	330.2	406	XS	210.9
600 x 300	610	12.7	563.5	432	323.8	9.5	298.45	397	XS	204.1
600 x 250	610	12.7	563.5	432	273.0	9.2	247.65	384	XS	202.8

Tê de Redução

ANSI B16.9

Espessura XS



Diâmetro Nominal (DN)	Dimensões da Boca Maior				Dimensões da Boca Menor				Schedule	Peso (Kg)
	Diâmetro Exterior (O.D.)	Espessura de Parede (T)	Diâmetro Interior (I.D.)	De Centro a Fim (C)	Diâmetro Exterior (O.D.)	Espessura de Parede (T)	Diâmetro Interior (I.D.)	De Centro a Fim (M)		
750 x 700	762.0	12.7	736.6	558.8	711.2	12.7	685.8	546.1	XS	471.7
750 x 650	762.0	12.7	736.6	558.8	660.4	12.7	635.0	546.1	XS	462.7
750 x 600	762.0	12.7	736.6	558.8	609.6	12.7	584.2	533.4	XS	450.9
750 x 550	762.0	12.7	736.6	558.8	558.8	12.7	533.4	520.7	XS	440
750 x 500	762.0	12.7	736.6	558.8	508.0	12.7	482.6	508.0	XS	428.7
750 x 450	762.0	12.7	736.6	558.8	457.2	12.7	431.8	495.3	XS	417.3
900 x 850	914.4	12.7	889.0	673.1	863.6	12.7	838.2	660.4	XS	714.42
900 x 800	914.4	12.7	889.0	673.1	812.8	12.7	787.4	647.7	XS	698.5
900 x 750	914.4	12.7	889.0	673.1	762.0	12.7	736.6	635.0	XS	684.9
900 x 700	914.4	12.7	889.0	673.1	711.2	12.7	660.4	622.3	XS	669.1
900 x 650	914.4	12.7	889.0	673.1	660.4	12.7	635.0	622.3	XS	653.2
900 x 600	914.4	12.7	889.0	673.1	609.6	12.7	584.2	609.6	XS	641.9
900 x 550	914.4	12.7	889.0	673.1	558.8	12.7	533.4	596.9	XS	626
900 x 500	914.4	12.7	889.0	673.1	508.0	12.7	482.6	584.2	XS	610.1
1050 x 1000	1066.8	12.7	1041.4	762.0	1016.0	12.7	990.6	711.2	XS	798.8
1050 x 950	1066.8	12.7	1041.4	762.0	965.2	12.7	939.8	711.2	XS	787
1050 x 900	1066.8	12.7	1041.4	762.0	914.4	12.7	889.0	711.2	XS	775.2
1050 x 850	1066.8	12.7	1041.4	762.0	863.6	12.7	838.2	711.2	XS	763
1050 x 800	1066.8	12.7	1041.4	762.0	812.8	12.7	787.4	711.2	XS	751.2
1050 x 750	1066.8	12.7	1041.4	762.0	762.0	12.7	736.6	711.2	XS	738.9
1050 x 700	1066.8	12.7	1041.4	762.0	711.2	12.7	685.8	698.5	XS	727.1
1050 x 650	1066.8	12.7	1041.4	762.0	660.4	12.7	635.0	698.5	XS	714.9
1050 x 600	1066.8	12.7	1041.4	762.0	609.6	12.7	584.2	660.4	XS	703.1
1200 x 1150	1219.2	12.7	1193.8	889.0	1168.4	12.7	1143.0	838.2	XS	1035.1



Diâmetro Nominal (DN)	Dimensões da Boca Maior				Dimensões da Boca Menor				Schedule	Peso (Kg)
	Diâmetro Exterior (O.D.)	Espessura de Parede (T)	Diâmetro Interior (I.D.)	De Centro a Fim (C)	Diâmetro Exterior (O.D.)	Espessura de Parede (T)	Diâmetro Interior (I.D.)	De Centro a Fim (M)		
1200 x 1100	1219.2	12.7	1193.8	889.0	1117.6	12.7	1092.2	838.2	XS	1022.9
1200 x 1050	1219.2	12.7	1193.8	889.0	1066.8	12.7	1041.4	812.8	XS	1001.1
1200 x 1000	1219.2	12.7	1193.8	889.0	1016.0	12.7	990.6	812.8	XS	986.1
1200 x 950	1219.2	12.7	1193.8	889.0	965.2	12.7	939.8	812.8	XS	977.1
1200 x 900	1219.2	12.7	1193.8	889.0	914.4	12.7	889.0	787.4	XS	964.8